

MS6BH

6 Diode Lighthead (MULTI-MOUNT)

12~24VDC



FEATURES

- Super low profile for discreet mounting.
- Up/Down Angle adjustable.
- Multi-Voltage Input 12~24VDC.
- Built-in 19 selectable flash patterns.
- LEDs rated to 100,000 hours of operation.
- Non-volatile memory recalls last flash pattern used at power up.
- Multiple units are synchronizable and can flash simultaneously or alternately.
- Reverse polarity protection.
- Weatherproof and vibration resistant design for internal or external use.
- Aluminum base for heat dissipation.

SPECIFICATIONS

Meets: SAE J595, J845, CA13 (R/B), ECE R10-04

Bulb: High-power LED x 6pcs

Warning Patterns: 19 Flash Patterns

Operating Voltage: 12~24VDC

Avg. Current: R/Y 0.40A@12VDC / 0.20A@24VDC
B/W 0.58A@12VDC / 0.29A@24VDC

Avg. Power: R/Y 4.8W
B/W 6.9W

Max. Current: R/Y 0.80A@12VDC / 0.40A@24VDC
B/W 1.15A@12VDC / 0.58A@24VDC

Max. Power: R/Y 9.6W
B/W 13.8W

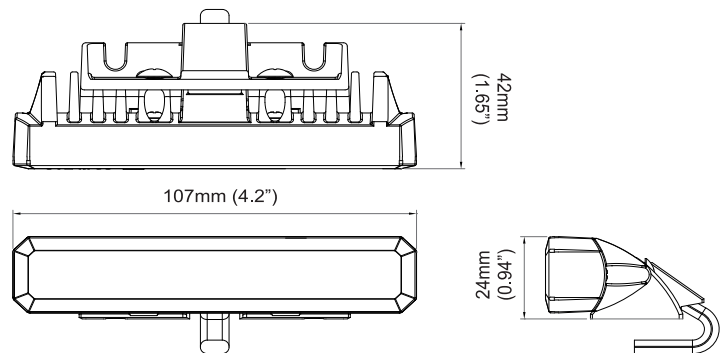
Wires: Red-Vcc : 97cm (20AWG)
Black-GND : 97cm (20AWG)
Yellow-Flash Patterns & Sync : 97cm (20AWG)

Fuse Recommended: 2A

Multi-Unit Synchronization: Over 15 units

Available in: BLUE , AMBER, RED, WHITE

DIMENSIONS



MOUNTING OPTIONS

- Hood / Exposed Edge
- Adhesive
- Permanent / Screw

FLASH PATTERN

FP#	Flash Patterns		
1	Random (all)	11	Double (all) (SAE)
2	Single (split)	12	Quad (all) (SAE)
3	Double (split)	13	Quint (all) (SAE)
4	Quad (split)	14	Mega (all)
5	Quint (split)	15	Ultra (all) (SAE)
6	Mega (split)	16	Single-Quad (all)
7	Ultra (split)	17	Single H/L (all)
8	Single-Quad (split)	18	Steady Half
9	Single H/L (split)	19	Steady All
10	Single (all) (SAE, CA13)		

*SPLIT=Left alternate Right *ALL=all LEDs on